

ENGRAVING & LABEL MAKING

Let us make your engraved labels, nameplates, legend-plates, or tags. We can supply them with or without adhesive or add mounting holes.

Attached please find:

- 1) Our price list**
- 2) General Engraving Notes**
- 3) Order Form**
- 4) Samples of Legend Plates & Pendant Plates**

Feel free to:

- A) Fax or call 206-337-9282 or**
- B) E-mail me at: dick@dickscustomengraving.com**

We've got a wide variety of colors & materials available and can give you rapid turnaround on most orders.

Email: dick@dickscustomengraving.com

Engraving General Notes:

- 1) We can offer 60 different fonts on labels. Our standard is Gothic Oneline. We have international fonts available (such as Arabic, Arabic/Farsi, German, Old Style, Greek, Cyrillic Gothic [Russian], Hebrew, & Hebrew S'Tam.
- 2) Standard Text Size is 3/16" (at 80%).
- 3) Standard material stocked is Ultra-Matte Finish (which is UV Protected). More available.
- 4) Colors are:
 - 4.1) White Surface/Black Core (letters)
 - 4.2) Black Surface/White Core (letters)
 - 4.3) White Surface/Red Core (letters)
 - 4.3.1) Red Surface/White Core (letters)**
 - 4.4) Yellow Surface/Black Core (letters)
- 5) We offer QUICK turnaround service.
- 6) We can engrave your logo in the label material if you send us an Autocad or DXF file. Email it to dick@dickscustomengraving.com
- 7) All labels have 1/32" Double Backed Adhesive Foam Tape. (White or Black available)
- 8) Mounting Holes are also available in rectangular labels.
- 9) Label Numbers are based upon rough size in 1/4" increments, such as Label 3.6 is a 3/4" (3 x 1/4") by 1-1/2" (6 x 1/4") sized label.
- 10) Labels shown in this document reflect a beveled edge.

ENGRAVING/LABEL PRICING

PHONE: 206-337-9282

FAX: 206-337-9282

Label Number	Label Size	Unit	Letters/Line w/o Holes	Letters/Line with Holes	Foam Tape
2.04	1/2" x 1"	\$2.00	4	2	\$0.10
2.06	1/2" x 1-1/2"	\$2.00	7	5	\$0.10
2.08	1/2" x 2"	\$2.00	10	8	\$0.10
2.10	1/2" x 2-1/2"	\$2.00	13	11	\$0.13
2.12	1/2" x 3"	\$2.00	16	14	\$0.15
2.14	1/2" x 3-1/2"	\$2.00	19	17	\$0.18
2.16	1/2" x 4"	\$2.00	22	20	\$0.20
2.20	1/2" x 5"	\$2.50	28	26	\$0.25
3.06	3/4" x 1-1/2"	\$1.75	7	5	\$0.10
3.08	3/4" x 2"	\$1.75	10	8	\$0.10
3.10	3/4" x 2-1/2"	\$1.75	13	11	\$0.13
3.12	3/4" x 3"	\$2.15	16	14	\$0.15
3.14	3/4" x 3-1/2"	\$2.50	19	17	\$0.18
3.16	3/4" x 4"	\$2.85	22	20	\$0.20
3.18	3/4" x 5"	\$3.60	28	26	\$0.25
4.08	1" x 2"	\$1.90	10	8	\$0.10
4.10	1" x 2-1/2"	\$2.40	13	11	\$0.13
4.12	1" x 3"	\$2.85	16	14	\$0.15
4.14	1" x 3-1/2"	\$3.35	19	17	\$0.18
4.16	1" x 4"	\$3.80	22	20	\$0.20
4.20	1" x 5"	\$4.75	28	26	\$0.25
4.24	1" x 6"	\$4.50	34	32	\$0.30
8.12	2" x 3"	\$5.70	16	14	\$0.15
8.16	2" x 4"	\$7.60	22	20	\$0.20
8.20	2" x 5"	\$9.50	28	26	\$0.25
8.24	2" x 6"	\$11.40	34	32	\$0.30
12.48	3" X 12"	\$34.20	12	10	\$1.35
DRILL HOLES	0.125" DIA	\$0.25	PER HOLE		
30mmLegend		\$2.75			
30mmJumboP		\$3.00			
22mmLegend		\$2.75			
30mm ESTOP	YELLOW	\$4.00			
30mmAlum		\$3.00			
30mmJumboA		\$4.00			
Custom 22mm or 30 mm		\$3.00			
Pendant		\$4.00			

NOTES:

1. IN ORDER TO GET OUR CUSTOMERS GREAT PRICING ON LABELS, WE ASK FOR A \$10.00 MINIMUM ON EACH ORDER
2. SCREWS FOR LABELS WITH HOLES SHOULD BE ROUND HEAD TYPE (<0.313 DIA.)
3. TO ESTIMATE A LABEL COST USE THE (a) UNIT PRICE, (b) ADDER FOR HOLES, AND/OR (c) ADDER FOR FOAM TAPE
4. ALL LABEL PRICING BASED UPON PLASTIC MATERIALS (WE CAN DO BRASS OR STAINLESS, BUT CALL FOR PRICING)
5. PRICING SUBJECT TO CHANGE WITHOUT NOTICE

FAX TO: DICK'S CUSTOM ENGRAVING
Email: dick@dickscustomengraving.com

FAX: 206-337-9282
Phone: 206-337-9282

Order FROM: _____
Contact Person: _____
Phone/Fax: _____ / _____
Ship to: _____

P.O. # _____

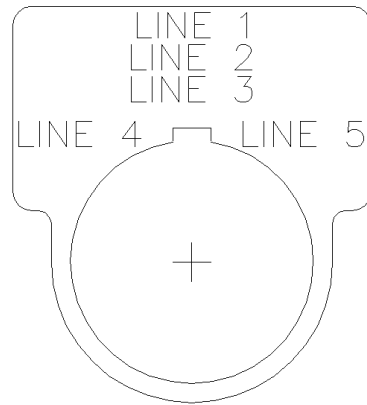
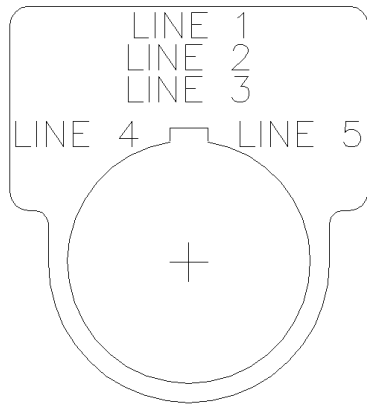
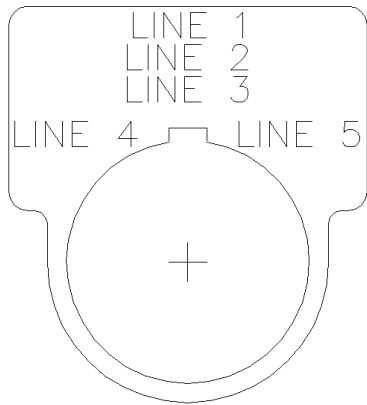
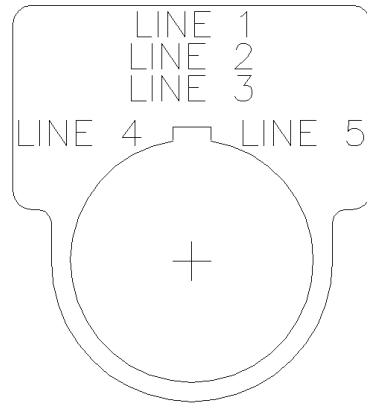
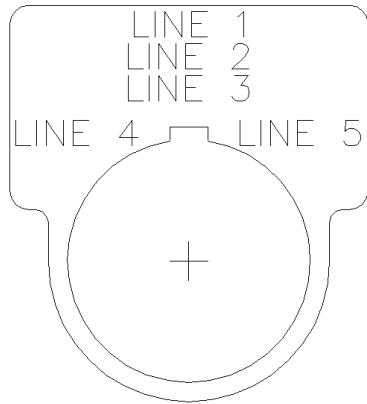
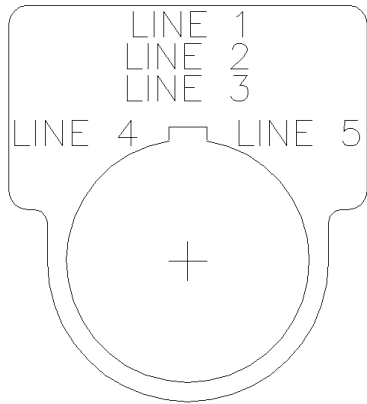
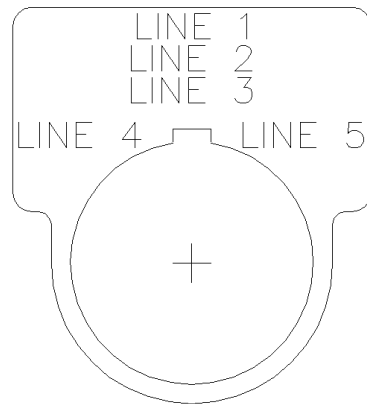
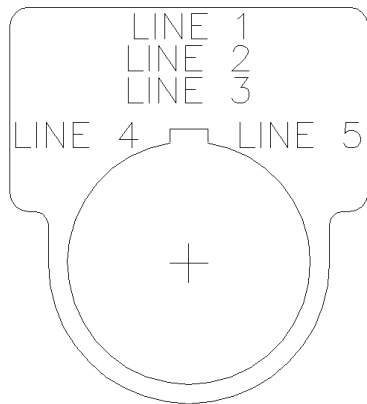
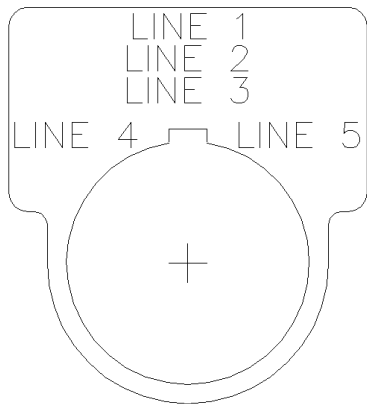
Bill to: _____

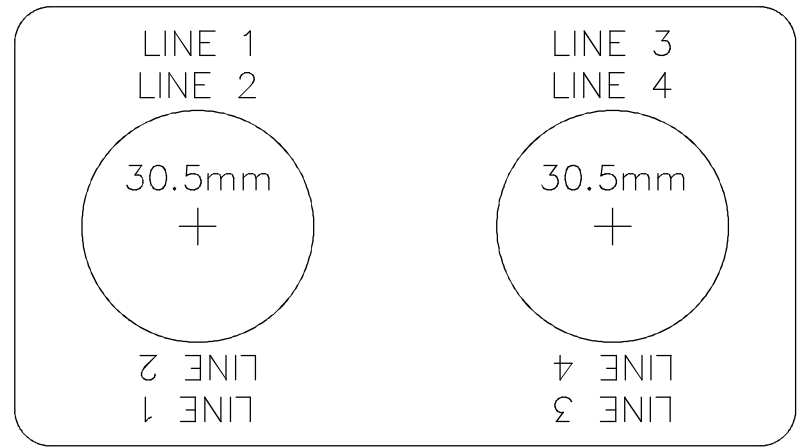
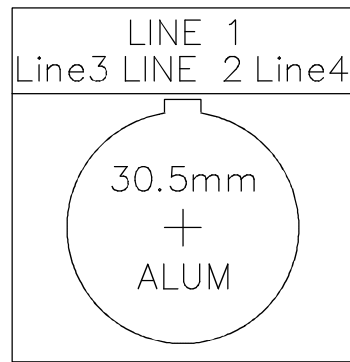
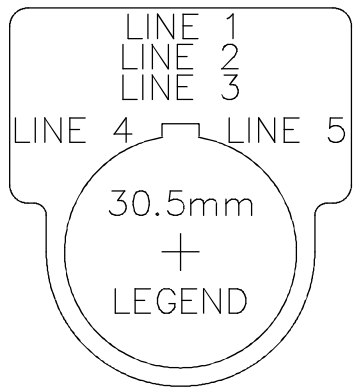
Item	Qty	Label #	Line1	Line2	Line3	Line4
1						
2						
3						
4						
5						
6						
7						
8						
9						
10						
11						
12						
13						
14						
15						
16						
17						
18						
19						
20						
21						
22						
23						
24						
25						
26						
27						
28						
29						
30						

DOWNLOAD THIS FORM AT: <http://www.dickscustomengraving.com/DCE-engraving-order.xls>

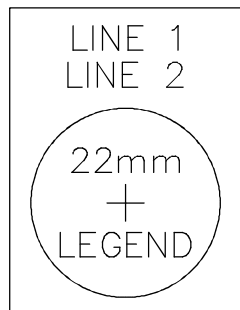
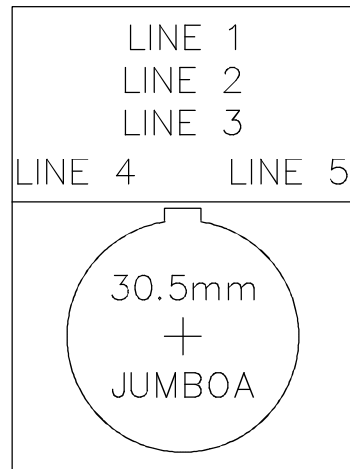
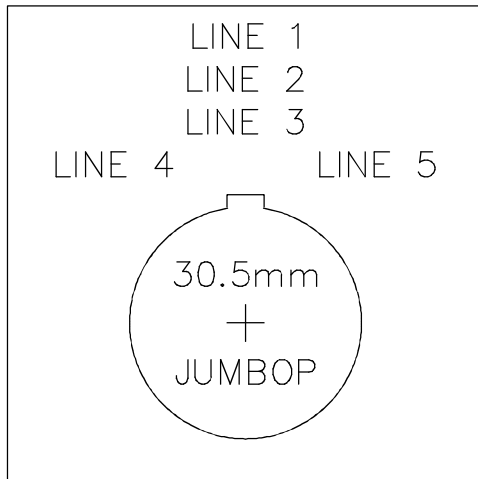
JOB NO. _____ CUSTOMER _____ DATE: _____

LINE 1	LINE 2	LINE 3	LINE 4	LINE 5

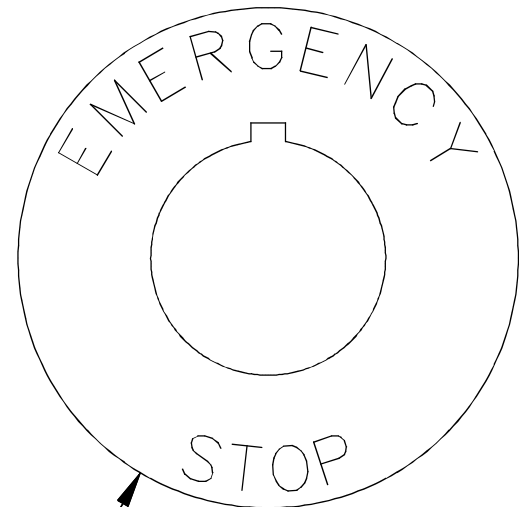




Square-D Pendant Label



YELBACKGROUND/BLK TEXT
(IAW NFPA 79)



DCE Engraving 1/2" Labels

LABEL 2.4 (1/2" X 1")

LINE 1
LINE 2

LABEL 2.6 (1/2" X 1-1/2")

LINE 1
LINE 2

LABEL 2.8 (1/2" X 2")

LINE 1
LINE 2

LABEL 2.10 (1/2" X 2-1/2")

LINE 1
LINE 2

LABEL 2.12 (1/2" X 3")

LINE 1
LINE 2

LABEL 2.14 (1/2" X 3-1/2")

LINE 1
LINE 2

LABEL 2.16 (1/2" X 4")

LINE 1
LINE 2

LABEL 2.20 (1/2" X 5")

LINE 1
LINE 2

DCE Engraving 3/4" Labels

LABEL 3.6 (3/4" X 1-1/2")



LABEL 3.8 (3/4" X 2")



LABEL 3.10 (3/4" X 2-1/2")



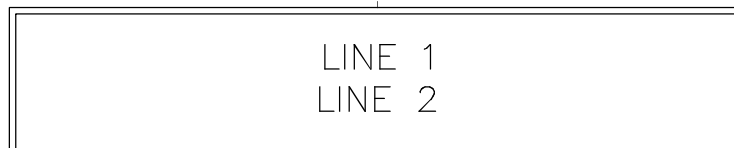
LABEL 3.12 (3/4" X 3")



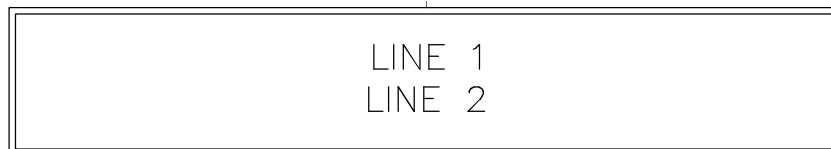
LABEL 3.14 (3/4" X 3-1/2")



LABEL 3.16 (3/4" X 4")



LABEL 3.18 (3/4" X 4-1/2")



DCE Engraving 1" Labels

LABEL 4.8 (1" X 2")

LINE 1
LINE 2
LINE 3

LABEL 4.10 (1" X 2-1/2")

LINE 1
LINE 2
LINE 3

LABEL 4.12 (1" X 3")

LINE 1
LINE 2
LINE 3

LABEL 4.14 (1" X 3-1/2")

LINE 1
LINE 2
LINE 3

LABEL 4.16 (1" X 4")

LINE 1
LINE 2
LINE 3

LABEL 4.20 (1" X 5")

LINE 1
LINE 2
LINE 3

DCE Engraving 2" Labels

LABEL 8.12 (2" X 3")

LINE 1
LINE 2
LINE 3
LINE 4

LABEL 8.12 (2" X 4")

LINE 1
LINE 2
LINE 3
LINE 4

LABEL 8.20 (2" X 5")

LINE 1
LINE 2
LINE 3
LINE 4

LABEL 8.24 (2" X 6")

LINE 1
LINE 2
LINE 3
LINE 4