

ENGRAVING & LABEL MAKING

Let us make your engraved labels, nameplates, legend-plates, or tags. We can supply them with or without adhesive or add mounting holes.

Attached please find:

- 1) Our price list**
- 2) General Engraving Notes**
- 3) Order Form**
- 4) Samples of Legend Plates & Pendant Plates**

Feel free to:

- A) Call 425-239-8736 or**
- B) E-mail me at: dick@dickscustomengraving.com**

We've got a wide variety of colors & materials available and can give you rapid turnaround on most orders.

Email: dick@dickscustomengraving.com

Engraving General Notes:

- 1) We can offer 60 different fonts on labels. Our standard is Gothic Oneline. We have international fonts available (such as Arabic, Arabic/Farsi, German, Old Style, Greek, Cyrillic Gothic [Russian], Hebrew, & Hebrew S'Tam.
- 2) Standard Text Size is 3/16" (at 80%).
- 3) Standard material stocked is Ultra-Matte Finish (which is UV Protected). More available.
- 4) Colors are:
 - 4.1) White Surface/Black Core (letters)
 - 4.2) Black Surface/White Core (letters)
 - 4.3) White Surface/Red Core (letters)
 - 4.3.1) Red Surface/White Core (letters)
 - 4.4) Yellow Surface/Black Core (letters)
 - 4.X) Lots of custom order colors available, special order only
- 5) We offer QUICK turnaround service.
- 6) We can engrave your logo in the label material if you send us an AutoCad or DXF file. Email it to dick@dickscustomengraving.com
- 7) All labels have 1/32" Double Backed Adhesive Foam Tape. (White or Black available)
- 8) Mounting Holes are also available in rectangular labels.
- 9) Label Numbers are based upon rough size in 1/4" increments, such as Label 3.6 is a 3/4" (3 x 1/4") by 1-1/2" (6 x 1/4") sized label.
- 10) Labels shown in this document reflect a beveled edge.

ENGRAVING/LABEL PRICING

PHONE: 425-239-8736

Label Number	Label Size	Unit	Letters/Line w/o Holes	Letters/Line with Holes	Foam Tape
2.04	1/2" x 1"	\$2.00	4	2	\$0.10
2.06	1/2" x 1-1/2"	\$2.00	7	5	\$0.10
2.08	1/2" x 2"	\$2.00	10	8	\$0.10
2.10	1/2" x 2-1/2"	\$2.00	13	11	\$0.10
2.12	1/2" x 3"	\$2.00	16	14	\$0.10
2.14	1/2" x 3-1/2"	\$2.00	19	17	\$0.10
2.16	1/2" x 4"	\$2.00	22	20	\$0.10
2.20	1/2" x 5"	\$2.38	28	26	\$0.13
3.06	3/4" x 1-1/2"	\$2.00	7	5	\$0.10
3.08	3/4" x 2"	\$2.00	10	8	\$0.10
3.10	3/4" x 2-1/2"	\$2.00	13	11	\$0.10
3.12	3/4" x 3"	\$2.14	16	14	\$0.11
3.14	3/4" x 3-1/2"	\$2.49	19	17	\$0.13
3.16	3/4" x 4"	\$2.85	22	20	\$0.15
3.18	3/4" x 5"	\$3.56	28	26	\$0.19
4.08	1" x 2"	\$2.00	10	8	\$0.10
4.10	1" x 2-1/2"	\$2.38	13	11	\$0.13
4.12	1" x 3"	\$2.85	16	14	\$0.15
4.14	1" x 3-1/2"	\$3.33	19	17	\$0.18
4.16	1" x 4"	\$3.80	22	20	\$0.20
4.20	1" x 5"	\$4.75	28	26	\$0.25
4.24	1" x 6"	\$5.70	34	32	\$0.30
8.12	2" x 3"	\$5.70	16	14	\$0.30
8.16	2" x 4"	\$7.60	22	20	\$0.40
8.20	2" x 5"	\$9.50	28	26	\$0.50
8.24	2" x 6"	\$11.40	34	32	\$0.60
12.48	3" X 12"	\$34.20	12	10	\$1.80
DRILL HOLES	0.125" DIA	\$0.25	PER HOLE		
30mmLegend		\$2.75			
30mmJumboP		\$3.50			
22mmLegend		\$2.75			
30mm ESTOP	YELLOW	\$4.00			
30mmAlum		\$3.50			
30mmJumboA		\$4.00			
Custom 22mm or 30 mm		\$3.50			
Pendant		\$4.00			

NOTES:

1. IN ORDER TO GET OUR CUSTOMERS GREAT PRICING ON LABELS, WE ASK FOR A \$10.00 MINIMUM ON EACH ORDER
2. SCREWS FOR LABELS WITH HOLES SHOULD BE ROUND HEAD TYPE (<0.313 DIA.)
3. TO ESTIMATE A LABEL COST USE THE (a) UNIT PRICE, (b) ADDER FOR HOLES, AND/OR (c) ADDER FOR FOAM TAPE
4. ALL LABEL PRICING BASED UPON PLASTIC MATERIALS (WE CAN DO BRASS OR STAINLESS, BUT CALL FOR PRICING)
5. PRICING SUBJECT TO CHANGE WITHOUT NOTICE

Email: dick@dickscustomengraving.com

PHONE: 425-239-8736

Order FROM: _____

P.O. # _____

Contact Person: _____

Phone/Fax: _____ / _____

Ship to: _____

Bill to: _____

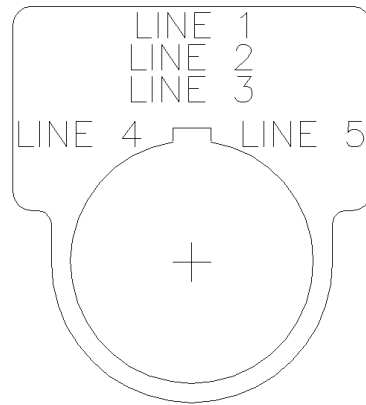
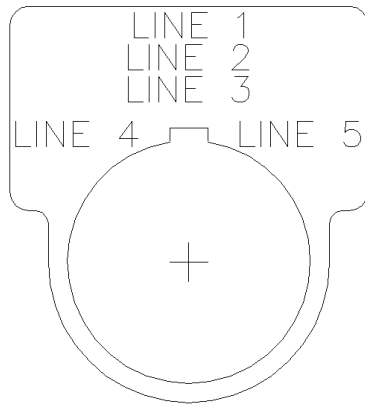
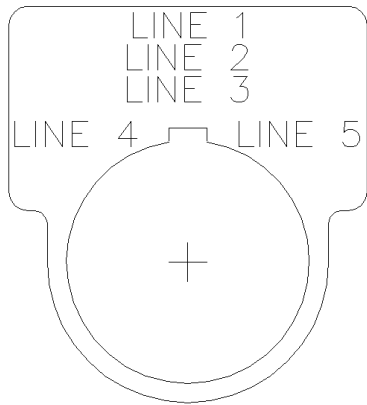
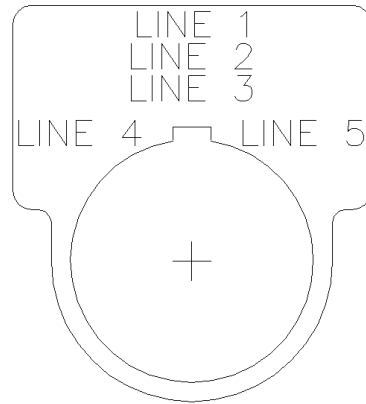
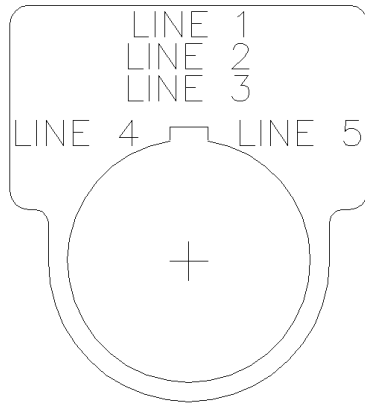
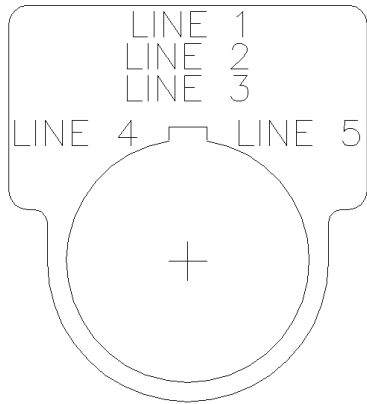
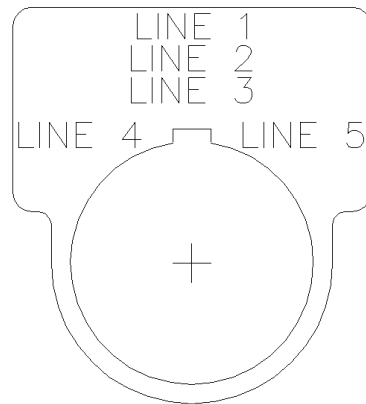
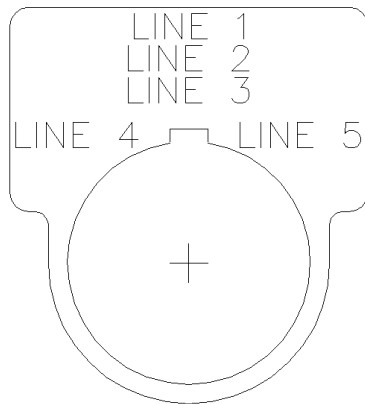
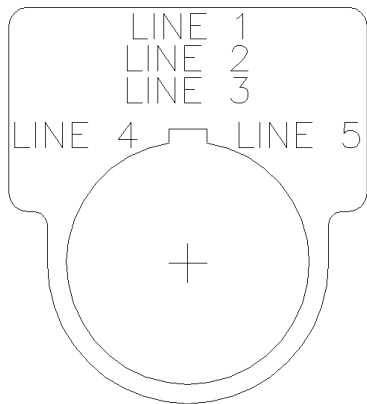
Item	Qty	Label #	Line1	Line2	Line3	Line4
1						
2						
3						
4						
5						
6						
7						
8						
9						
10						
11						
12						
13						
14						
15						
16						
17						
18						
19						
20						
21						
22						
23						
24						
25						
26						
27						
28						
29						
30						

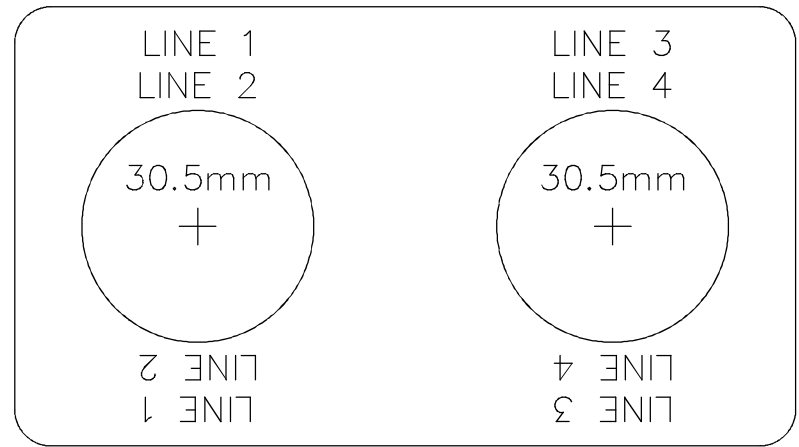
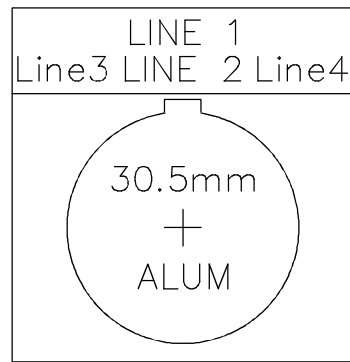
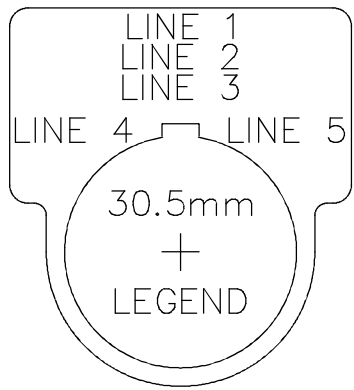
DOWNLOAD THIS FORMAT: http://www.dickscustomengraving.com/engrave_order.xls

www.DicksCustomEngraving.com

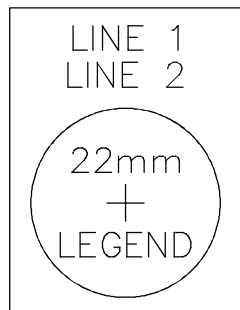
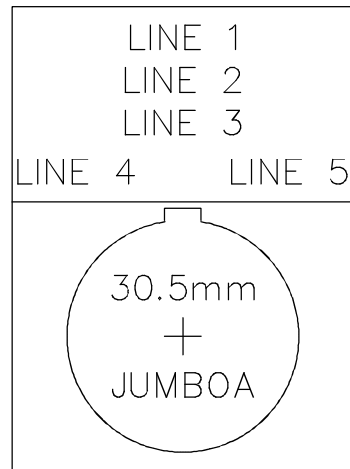
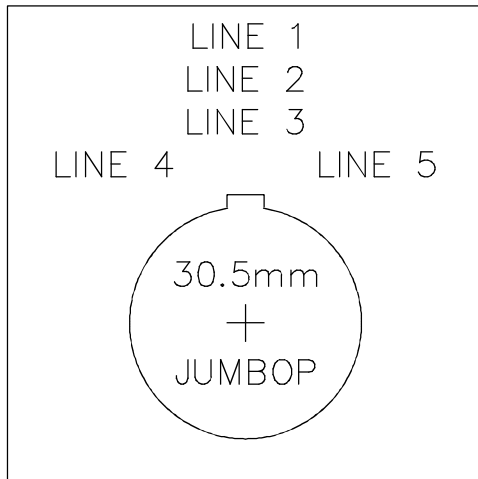
JOB NO. _____ CUSTOMER _____ DATE: _____

LINE 1	LINE 2	LINE 3	LINE 4	LINE 5

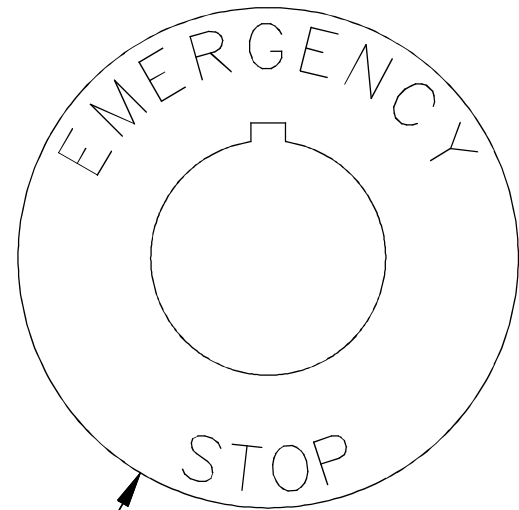




Square-D Pendant Label



YELBACKGROUND/BLK TEXT
(IAW NFPA 79)



DCE Engraving 1/2" Labels

LABEL 2.4 (1/2" X 1")

LINE 1
LINE 2

LABEL 2.6 (1/2" X 1-1/2")

LINE 1
LINE 2

LABEL 2.8 (1/2" X 2")

LINE 1
LINE 2

LABEL 2.10 (1/2" X 2-1/2")

LINE 1
LINE 2

LABEL 2.12 (1/2" X 3")

LINE 1
LINE 2

LABEL 2.14 (1/2" X 3-1/2")

LINE 1
LINE 2

LABEL 2.16 (1/2" X 4")

LINE 1
LINE 2

LABEL 2.20 (1/2" X 5")

LINE 1
LINE 2

DCE Engraving 3/4" Labels

LABEL 3.6 (3/4" X 1-1/2")



LABEL 3.8 (3/4" X 2")



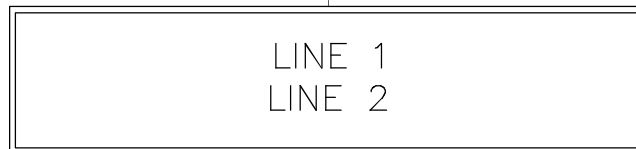
LABEL 3.10 (3/4" X 2-1/2")



LABEL 3.12 (3/4" X 3")



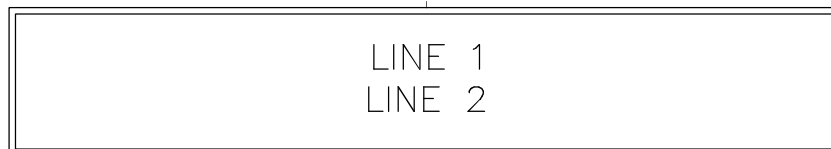
LABEL 3.14 (3/4" X 3-1/2")



LABEL 3.16 (3/4" X 4")



LABEL 3.18 (3/4" X 4-1/2")



DCE Engraving 1" Labels

LABEL 4.8 (1" X 2")

LINE 1
LINE 2
LINE 3

LABEL 4.10 (1" X 2-1/2")

LINE 1
LINE 2
LINE 3

LABEL 4.12 (1" X 3")

LINE 1
LINE 2
LINE 3

LABEL 4.14 (1" X 3-1/2")

LINE 1
LINE 2
LINE 3

LABEL 4.16 (1" X 4")

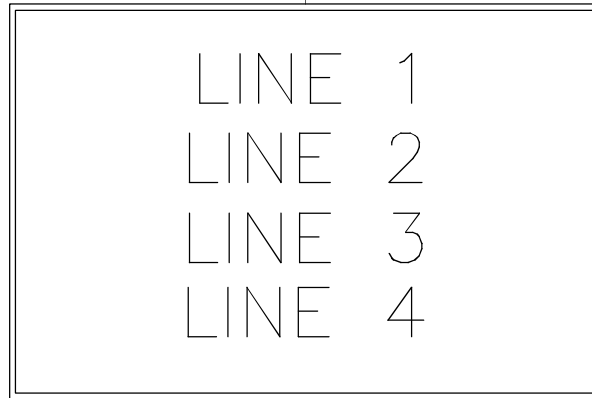
LINE 1
LINE 2
LINE 3

LABEL 4.20 (1" X 5")

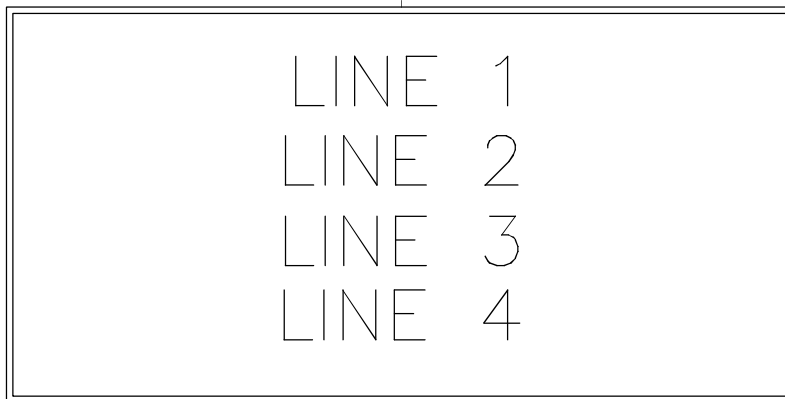
LINE 1
LINE 2
LINE 3

DCE Engraving 2" Labels

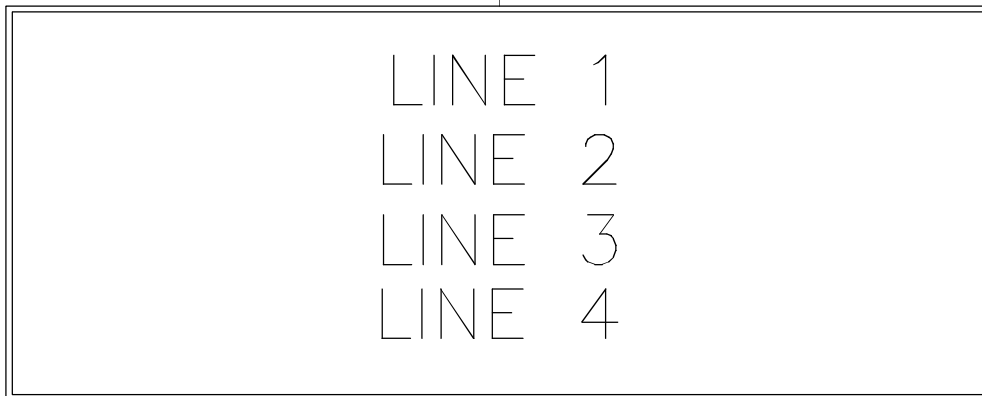
LABEL 8.12 (2" X 3")



LABEL 8.12 (2" X 4")



LABEL 8.20 (2" X 5")



LABEL 8.24 (2" X 6")

